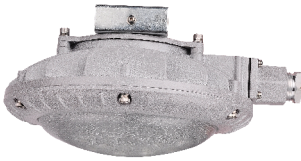


# 防爆灯具

## RDB98

防爆免维护节能灯(IIC、DIP)

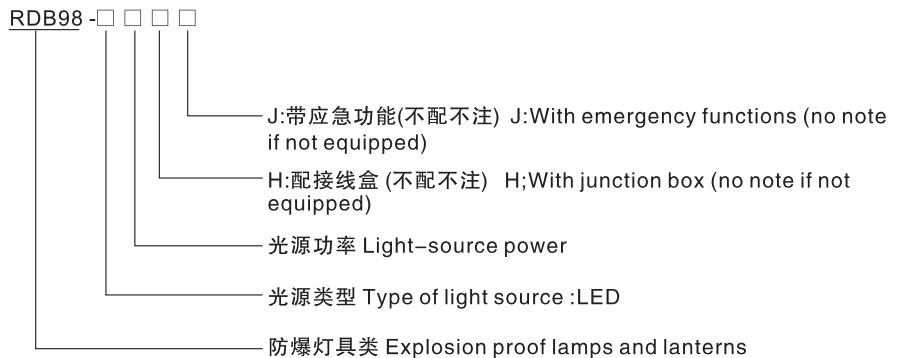


### 适用范围 Application

- ◆ 适用于爆炸性气体环境1区、2区；
- ◆ 适用于可燃性粉尘环境21区、22区；
- ◆ 适用于II A、II B、II C级爆炸性气体环境；
- ◆ 适用于温度组别为T1~T6/T4的环境；
- ◆ 适用于石油采炼、储存、化工、医疗、军工及军事设施等爆炸性危险环境。

- ◆ Applicable to Area 1 and 2 of explosive gas atmospheres;
- ◆ Applicable to Area 21 and 22 of combustible dust atmospheres;
- ◆ Applicable to IIA, IIB, IIC of explosive gas atmospheres;
- ◆ Applicable to T1~T6/T4 temperature group;
- ◆ Applicable to petroleum mining, storage, chemical industry, military industry, military installation and other explosive dangerous environments.

### 型号含义 Model implication



- 注:** 1. 本系列灯具出厂时已配光源, 用户接入电源即可使用;  
2. 订货时请根据光源功率、附件逐项选型。

Note: 1. The series lamps are equipped with light source of electrodeless lamp and power source when delivery.  
2. Select model item by item according to light-source powers, installation ways and accessories when placing an order.

## RDB98

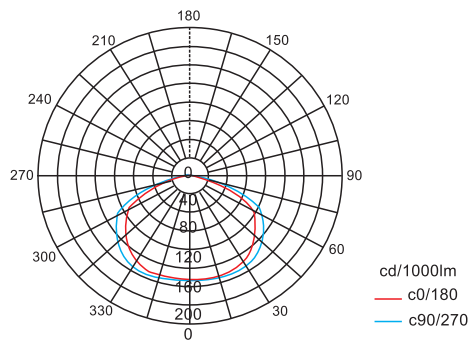
Explosion proof and maintenance free energy-saving lamps (IIC, DIP)

### 产品特点 Product feature

1. 外壳采用铝合金压铸成型，表面经高压静电粉末喷塑处理；
2. 高强度钢化玻璃灯罩；
3. 外露紧固件采用不锈钢材质。

- 1.Housing is made of aluminum alloy with die-cast formation and high voltage electrostatic powder spraying treatment is carried out on the surface;
- 2High strength engineering plastics glass lamp shade
- 4Exposed fastener is made of stainless steel materials.

### 配光曲线Distribution curve flux



### 主要技术参数 Main technical parameters

执行标准(Executive standard): GB 3836.1、GB 3836.2、GB 3836.3、IEC60079

防爆标志(Ex-mark): ExdembIICT6Gb/ExtD A21 IP65 T80℃

额定电压(Rated voltage): AC 220V

配备光源(Equipped light source): LED

额定功率(Rated power): 10W、20W、30W、40W

发光效率(Light source power):  $\geq 160\text{lm/W}$

防腐等级(Corrosion-proof-class): WF1、WF1

引入口规格(Entry spec): G3/4"

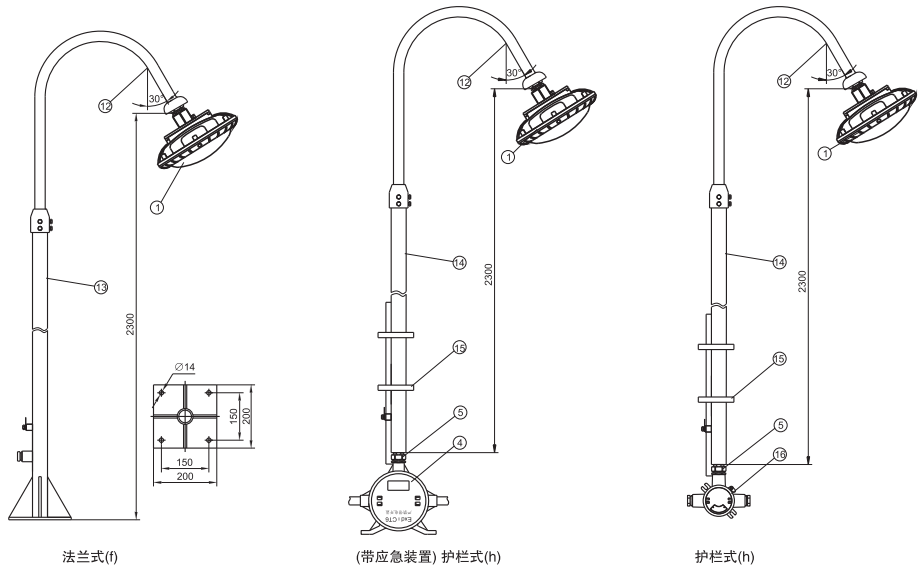
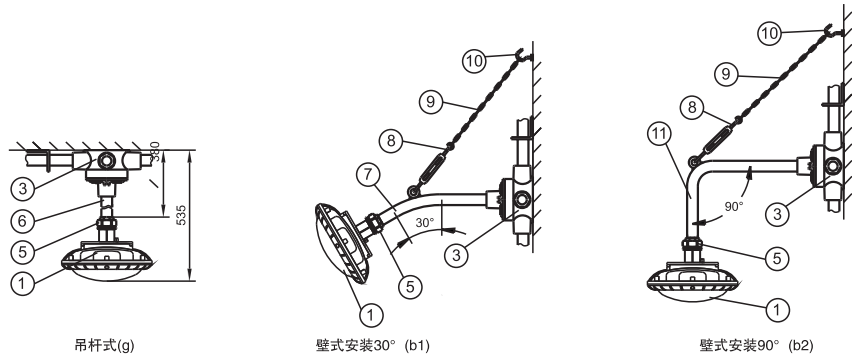
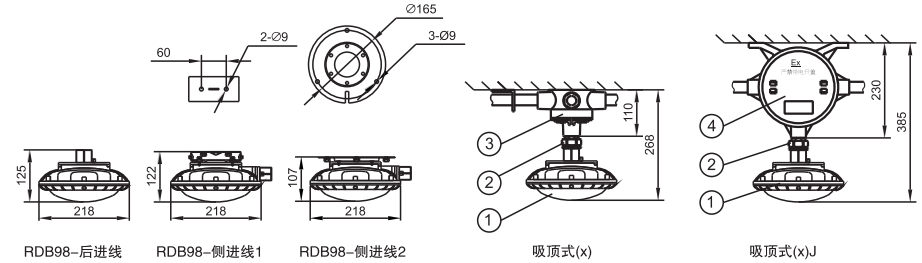
适用电缆外径(Cable's outer diameter):  $\Phi 9\text{mm} \sim \Phi 14\text{mm}$

# 防爆灯具

## RDB98

防爆免维护节能灯(IIC、DIP)

### 外形及安装尺寸 Outlines & installation dimensions



1. 防爆灯具 Explosion-proof lamp
2. 防爆活接头 Explosion-proof union G3/4C
3. 接线盒 G3/4 " Junction box G3/4 "
4. 防爆应急装置 Explosion-proof emergency device
5. 防爆活接头 Explosion-proof union G3/4B
6. 直杆 Straight pole 300mm x G3/4 "
7. 弯杆 Curved pole 30° 300mm x G3/4 "
8. CC型索具螺旋扣 CC rigging turnbuckle M6
9. 链条 Chain (250mm)
10. 膨胀螺钉 Expansion screw M6
11. 弯杆 Curved pole 90° 500mm x G3/4 "
12. 弯杆G1" 钢管 ) Curved member G1" steel pipe
13. 法兰式灯杆G11/2 " Flange type lamp pole G11/2"
14. 护栏式灯杆G11/2 " Barrier type lamp pole G11/2"
15. U型管夹U pipe clamp
16. 防爆接线盒 Explosion-proof junction box G<sup>3</sup>/<sub>4</sub>(IIC)